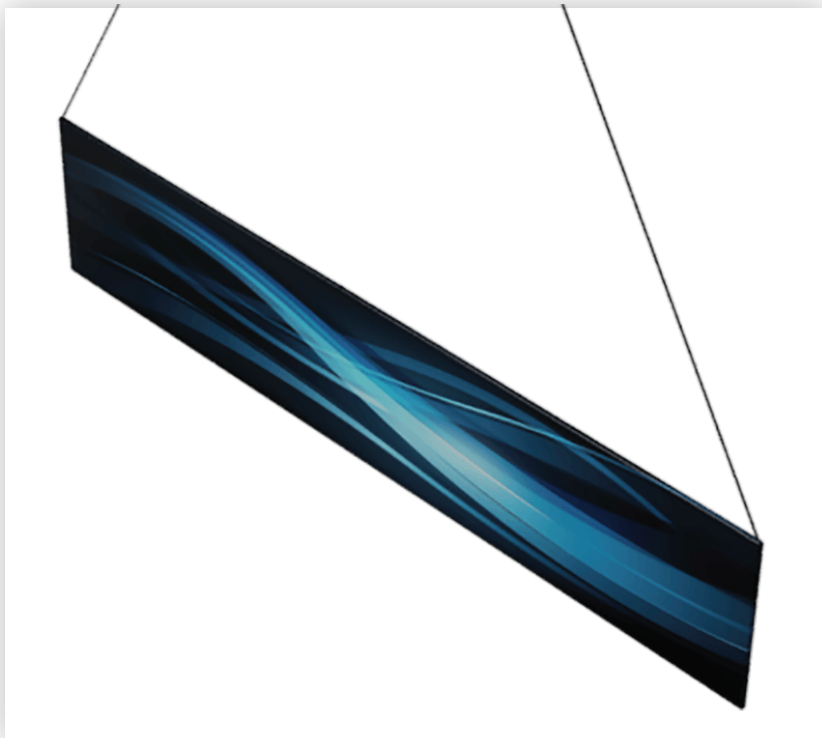
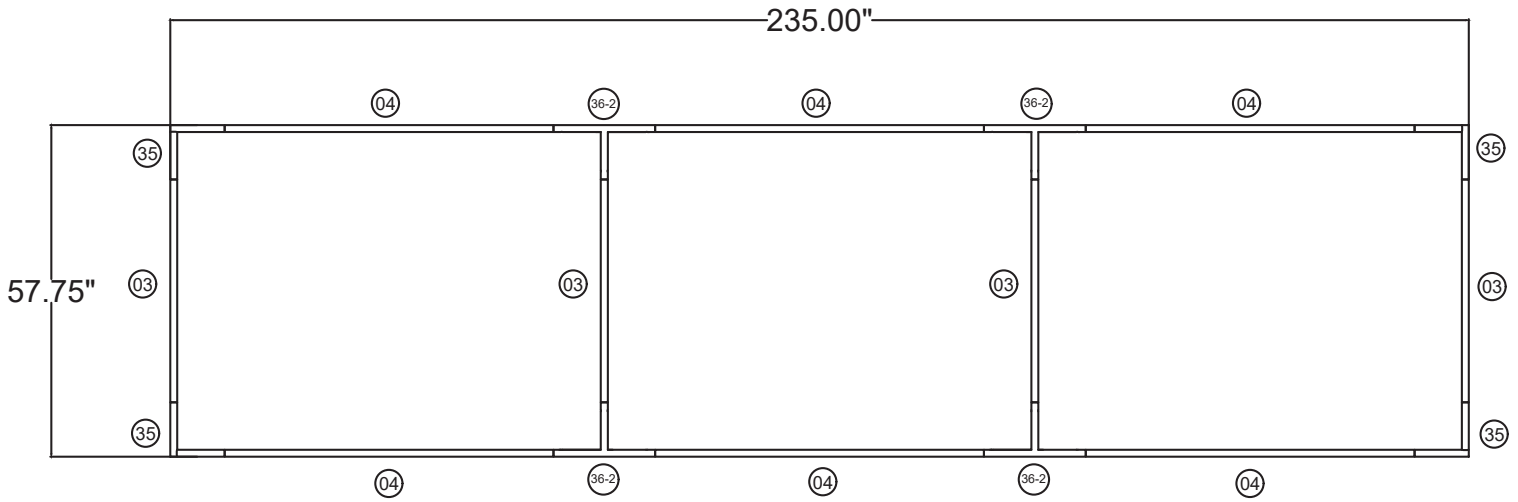


WAVELINE®

20'w x 5'h WL Hanging Sign



FHS2060

20'w x 5'h WL Hanging Sign

Qty.	Part Number
4	WLM#035
4	WLM#003
6	WLM#004
4	WLM#036-2-US
1	BGO-FABRIC-L bag

Notes:

- * Does not include Hanging Cables
- * will fit inside CA600 or CA900 case